

# ATEX/IECEX LED WORKLITE™

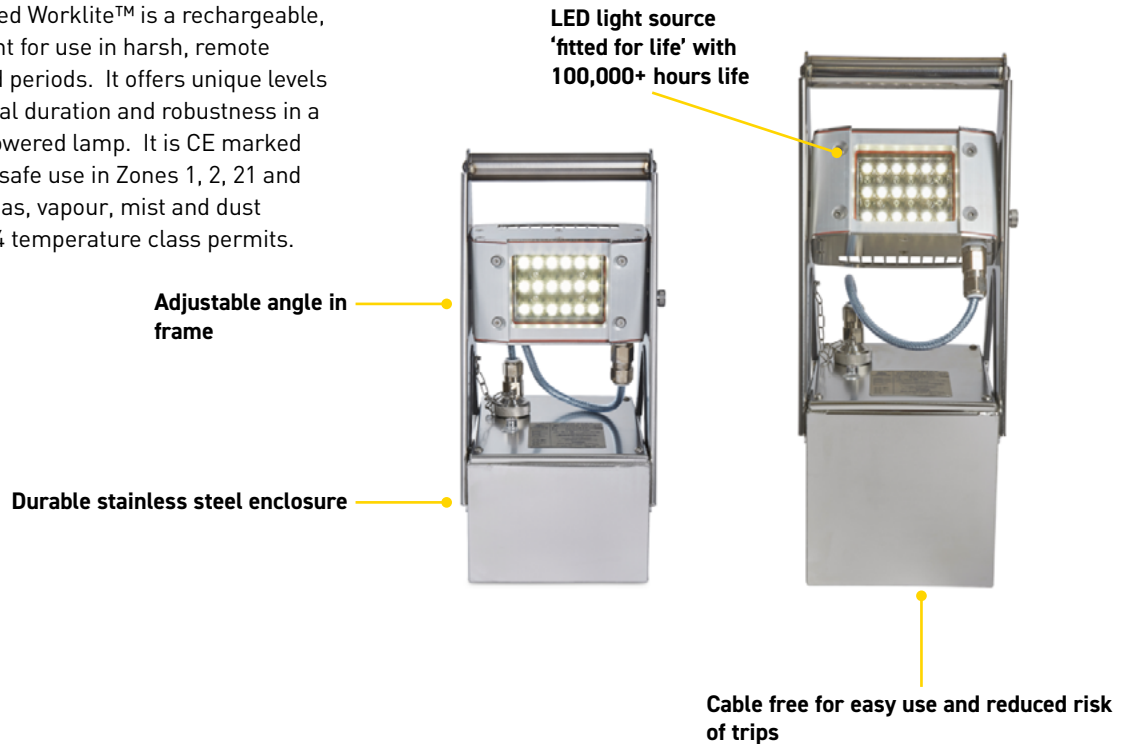


WITHOUT COMPROMISE

WL-80 & WL-85 ZONES **1** **2** **21** **22**

## PRODUCT INFORMATION

The ATEX & IECEx certified Worklite™ is a rechargeable, high output LED floodlight for use in harsh, remote applications for extended periods. It offers unique levels of light output, operational duration and robustness in a self-contained battery powered lamp. It is CE marked to the ATEX Directive for safe use in Zones 1, 2, 21 and 22 potentially explosive gas, vapour, mist and dust atmospheres, where a T4 temperature class permits.



## KEY INFORMATION

### CERTIFICATION

- ATEX, IECEx and UKEX Approved for Zone 1/21 explosive gas and dust atmospheres
- IP Rating: certified to both IP66 and 67, the Worklite™ is dust tight and protected against powerful water jets and immersion up to 1 metre for 30 minutes

### AMBIENT APPROVED

- -20°C to +40°C

### LIGHT OUTPUT

- Up to 3,762 lumens at source
- High power white LED piercing spot beam with flood of lower level fringe light
- LED light source 'fitted for life' with 100,000+ hours life

### LIGHT DURATION

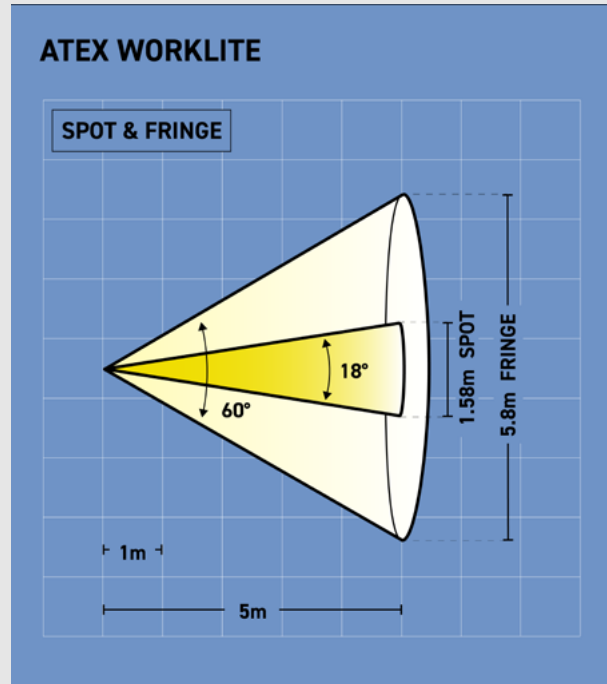
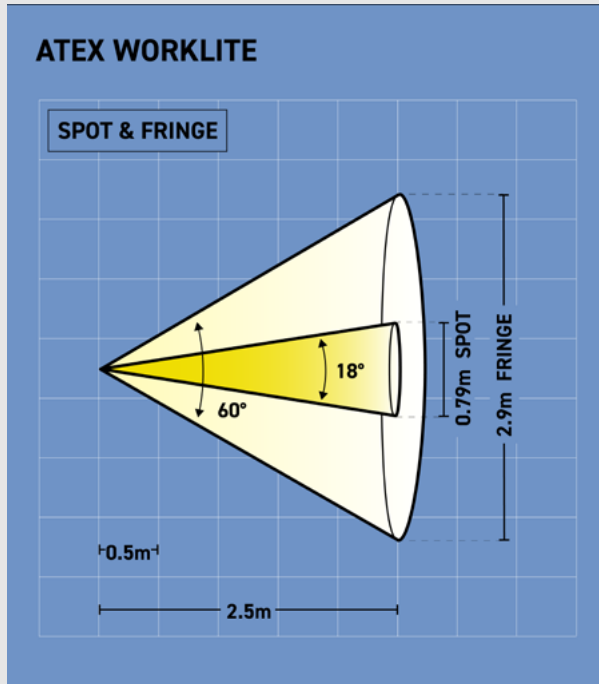
- WL-80 10 hours (full power) / 18 hours (half power)
- WL-85 21 hours (full power) / 40 hours (half power)

### FEATURES

- Toughened glass lens, supplied with easily replaceable lens guards
- Robust and durable construction
- Rechargeable high capacity battery, fully managed & supplied with a mains charger with state of charge indication, powered from 100 to 254Vac
- 2 power levels (high/low) allowing user to select appropriate light based on the work task at hand
- Tilt adjustment within frame to direct light accordingly

# TECHNICAL INFORMATION

## LIGHT OUTPUT DIAGRAM



Spot Beam, approximately 18°, with a flood, approximately 60°, of lower level fringe light.

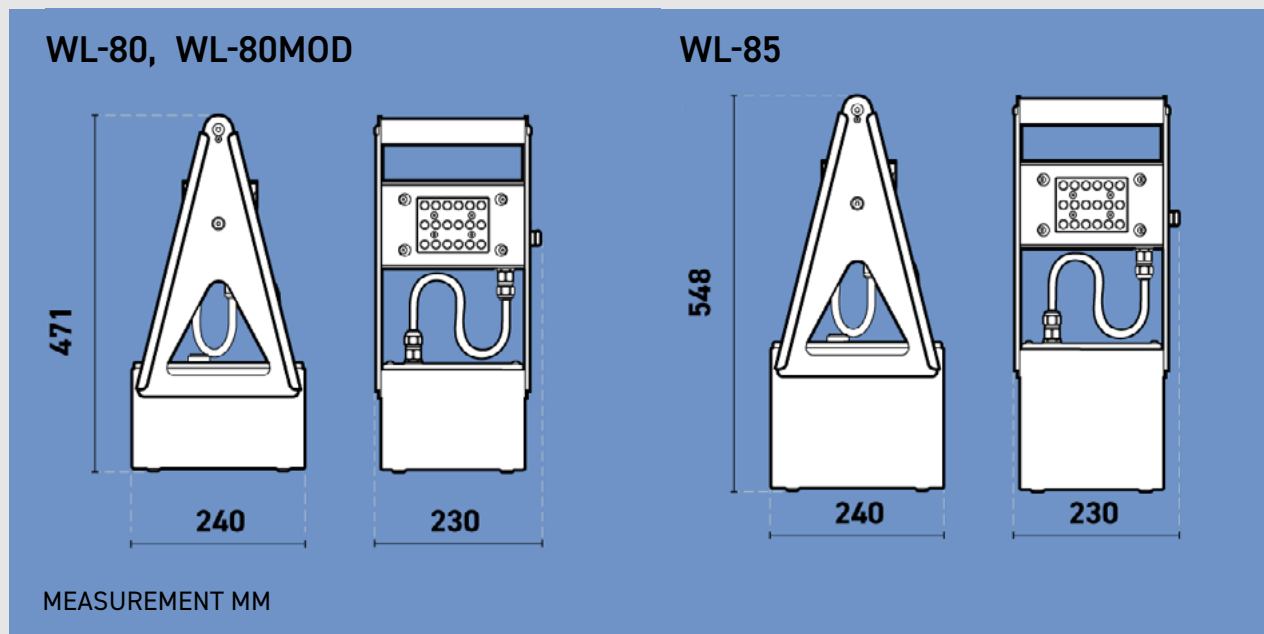
**Full Power:**

14,146 Lux at 1m  
566 Lux at 5m

**Half Power:**

7,455 Lux at 1m  
298 Lux at 5m

## PRODUCT DIMENSIONS



## ATEX/IECEX LED WORKLITE™

PRODUCT REFERENCE		WL-80	WL-85
PRODUCT DESCRIPTION		High Power Rechargeable Battery Worklite™ 18 LED	
CODE		II 2 GD Ex eb ib mb IIC T4 Gb Ex tb IIIC T135°C Db	
TYPE OF PROTECTION		'eb' Increased Safety, 'ib' Intrinsic Safety, 'mb' Encapsulation, 'tb' Enclosure Protection	
AREA OF CLASSIFICATION (GAS)		Zones 1 and 2, Gas Groups IIA, IIB, IIC	
TEMPERATURE CLASSIFICATION		T4	
AREA OF CLASSIFICATION (DUST)		Zones 21 and 22, Dust Groups IIIA, IIIB, IIIC	
MAX. SURFACE TEMPERATURE (DUST)		T135°C	
AMBIENT TEMPERATURE		-20°C to +40°C	
CERTIFICATE		CML 18ATEX3373X, IECEx CML 18.0199X, CML 21UKEX3646X	
ENCLOSURE		Stainless Steel with Aluminium LED Lamp Head	
LENS		Toughened Glass Lens Supplied with 3 Anti-static Lens Guards	
BEAM TYPE		Spot Beam with a Flood of Low Level Fringe Light	
LIGHT SOURCE:	TYPE	High Power LED	
	POWER/OUTPUT	18 x High Power LEDs / Up to 3,762 lumens at source	
	LIFE	100,000hrs+ (Fitted for Life)	
POWER SOURCE:	PART NO.	W-218	W-235
	BATTERY TYPE	Rechargeable Battery, Sealed Gel Lead Acid	
	VOLTS	12V	
	CAPACITY	18Ah	35Ah
	LIFE	Up to 500 recharge cycles	
LOW BATTERY INDICATOR		Yes	
LIGHT DURATION - HIGH / LOW		Up to 10 hrs / 18 hrs	Up to 21 hrs / 40 hrs
INGRESS PROTECTION		IP66 and IP67 to IEC60529	
WEIGHT (INC. BATTERY)		16.5kg	23kg
CHARGER INPUT		100 - 254 Vac	
RECHARGE TIME		8 hrs	12 hrs

All information has been gathered under laboratory conditions, the user must regard the values given as approximate. Changes may be made to the above specification without notification, details are available on request.



Wolf Safety Lamp Company  
Saxon Road Works, Sheffield S8 0YA, UK

T: +44 (0) 114 255 1051  
E: [info@wolfsafety.com](mailto:info@wolfsafety.com)

