

# ATEX/IECEX LED MINI WORKLITE™ WL-50



WL-50 & WL-50HT ZONES

1

2

21

22

## PRODUCT INFORMATION

The ATEX & IECEx certified WL-50 & WL-50HT light weight mini Worklite™ is an easily carried, rechargeable, high output LED floodlight for use in harsh, remote, hazardous area applications. At just over 9kgs, it weighs around half the weight of the WL-80 and WL-85 worklites, and provides the same outstanding level of light.

Toughened glass lens with optional disposable lens guard

Durable 316L stainless steel outer skid to protect Worklite

Cable free for easy use and reduced risk of trips

Fixings for Anti-Static Lens Guard (W-3130) to protect lens & extend product lifespan

LED light source 'fitted for life' with 100,000+ hours life

Adjustable angle in frame



## KEY INFORMATION

### CERTIFICATION

- ATEX and IECEx Approved for Zone 1/21 explosive gas and dust atmospheres
- IP Rating: certified to both IP66 and 67, the Worklite™ is dust tight and protected against powerful water jets and immersion up to 1 metre

### AMBIENT APPROVED

- -20°C to +45°C - WL-50
- -20°C to +50°C - WL-50HT

### LIGHT OUTPUT

- Up to 3,762 lumens at source
- High power white LED piercing spot beam with flood of lower level fringe light
- LED light source 'fitted for life' with 100,000+ hours life.

### LIGHT DURATION

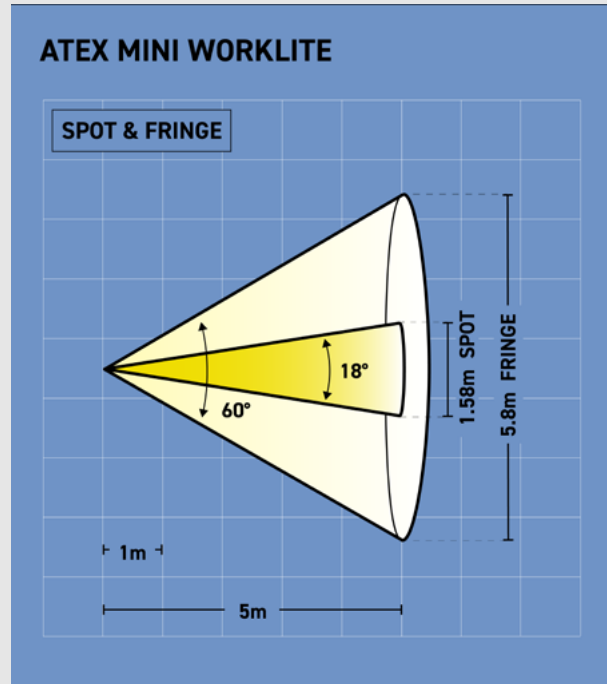
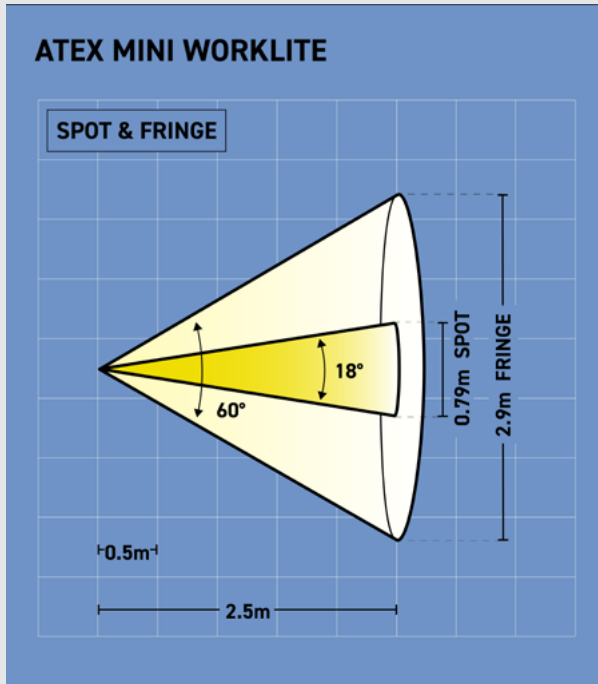
- Up to 5 hours full power
- Up to 10 hours half power

### FEATURES

- Toughened glass lens with optional disposable lens guard, robust and durable aluminium construction
- Rechargeable high capacity battery, fully managed & supplied with a mains charger with state of charge indication, powered from 100 to 254Vac
- Compatible with Wolf tripods and magnetic bracket kits, certified anti-static protection kits available
- 2 power levels (high/low) allowing user to accommodate appropriate light based on the work task at hand
- Tilt adjustment within frame to direct light accordingly

# TECHNICAL INFORMATION

## LIGHT OUTPUT DIAGRAM



Spot Beam, approximately 18°, with a flood, approximately 60°, of lower level fringe light.

**Full Power:**

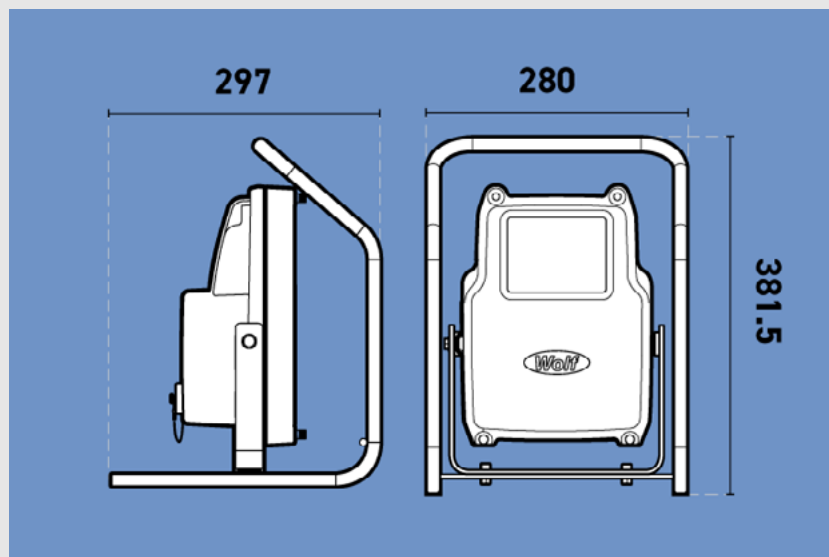
14,146 Lux at 1m  
566 Lux at 5m

**Half Power:**

7,455 Lux at 1m  
298 Lux at 5m

## PRODUCT DIMENSIONS

WL-50, WL-50HT



MEASUREMENT MM



# ATEX/IECEX LED MINI WORKLITE™ WL-50

PRODUCT REFERENCE	WL-50	WL-50HT	
<b>PRODUCT DESCRIPTION</b>	High Power Rechargeable Battery Worklite™		
<b>CODE</b>	Ex eb ib mb IIC T4 Gb Ex tb IIIC T135°C Db		
<b>TYPE OF PROTECTION</b>	'eb' Increased Safety, 'ib' Intrinsic Safety, 'mb' Encapsulation, tb Enclosure Protection		
<b>AREA OF CLASSIFICATION (GAS)</b>	Zones 1 and 2, Gas Groups IIA, IIB, IIC		
<b>TEMPERATURE CLASSIFICATION</b>	T4		
<b>AREA OF CLASSIFICATION (DUST)</b>	Zones 21 and 22, Dust Groups IIIA, IIIB, IIIC		
<b>MAX. SURFACE TEMPERATURE (DUST)</b>	T135°C		
<b>AMBIENT TEMPERATURE</b>	-20°C to +45°C	-20°C to +50°C	
<b>CERTIFICATE</b>	CML 18ATEX3373X IECEX CML 18.0199X		
<b>ENCLOSURE</b>	Die Cast Aluminium		
<b>LENS</b>	Toughened Glass Lens		
<b>BEAM TYPE</b>	Spot Beam with a Flood of Low Level Fringe Light		
<b>LIGHT SOURCE:</b>	<b>TYPE</b>	High Power LED	
	<b>POWER/OUTPUT</b>	18 x High Power LEDs / Up to 3,762 lm at source	
	<b>LIFE</b>	100,000hrs+ (Fitted for Life)	
<b>POWER SOURCE:</b>	<b>PART NO.</b>	W-3200	W-3300
	<b>BATTERY TYPE</b>	Rechargeable Battery, Sealed Gel Lead Acid	
	<b>VOLTS</b>	12V	
	<b>CAPACITY</b>	10Ah	9Ah
	<b>LIFE</b>	UP TO 200 RECHARGE CYCLES	
<b>LOW BATTERY INDICATOR</b>	Yes		
<b>LIGHT DURATION - HIGH / LOW</b>	Up to 10 hrs / 5 hrs	Up to 9hrs / 4.5hrs	
<b>INGRESS PROTECTION</b>	IP66 and IP67 to IEC60529		
<b>WEIGHT (INC. BATTERY)</b>	9.3kg		
<b>CHARGER INPUT</b>	100 - 254 Vac		
<b>RECHARGE TIME</b>	8 hrs		

All information has been gathered under laboratory conditions, the user must regard the values given as approximate. Changes may be made to the above specification without notification, details are available on request.



Wolf Safety Lamp Company  
Saxon Road Works, Sheffield S8 0YA, UK

T: +44 (0) 114 255 1051  
E: [info@wolfsafety.com](mailto:info@wolfsafety.com)

