

# LINKEX™ LED TEMPORARY LUMINAIRE



WITHOUT COMPROMISE

LX-400 ZONES

1 2 21 22

## PRODUCT INFORMATION

The LinkEx™ LED Temporary Luminaire is a high powered LED Leadlamp for use in temporary lighting installations and maintenance tasks. It is CE marked to the ATEX directive and IECEx certified for safe use in Zones 1 and 2 potentially explosive gas and dust atmospheres, where a T4 temperature class permits.

Optional LinkEx sockets, allowing up to 45 lamps to be powered from a single source

LED light source 'fitted for life' with 100,000+ hours life

Fitted with SOVI™ (Safe Optimal Voltage Indicator)

Wide range of protection and mounting accessories available, including Hazardous Area certified lens protecting films (LX-545) & protection cover kits (LX-621)

180° or 360° models available

## KEY INFORMATION

### CERTIFICATION

- ATEX & IECEx Approved for Zone 1/2 and 21/22 explosive gas and dust atmospheres
- T4 temperature class
- Ambient range: -20°C to +55°C (45°C with LX-621 anti-static protective cover)
- IP Rating: certified to both IP67 (non Linkable) or IP66 (Linkable)

### LIGHT OUTPUT

- Up to 4,000 lumens at source
- High power white LED beam available as 180° or 360°
- LED light source 'fitted for life' with 100,000+ hours life.

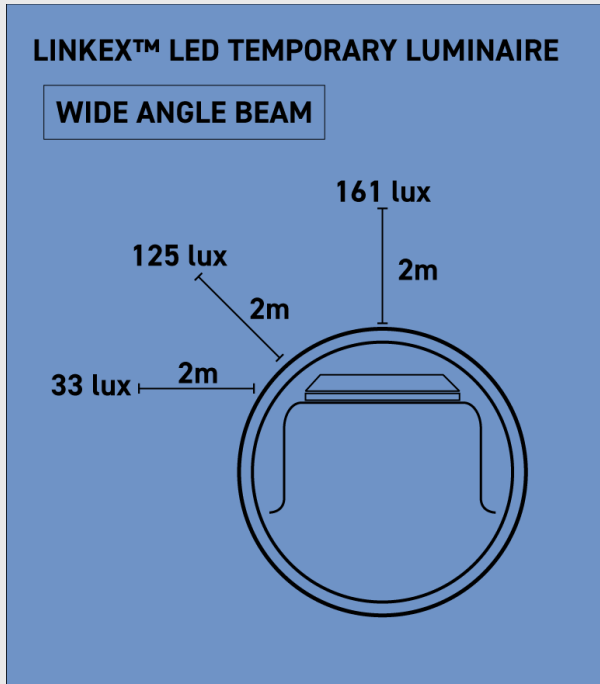
### FEATURES

- Available in HV (High Voltage) 90-264V AC and LV (Low Voltage) 18-55V AC/DC
- LinkEx™ capable: up to 45 compatible Wolf lamps can be powered in series from a single power source
- Fitted with SOVI™ (Safe Optimal Voltage Indicator) - the unique safety technology which warns the user if the input voltage either exceeds the safe and certified range, or falls below the optimum voltage input range
- Safe to 0 volts supply, no unsafe lower limit should the power supply dip, or should the user link too many lamps
- Supplied with a pair of hanging straps (LX-654)
- Compact, robust and durable construction
- Wide range of fixing and mounting accessories available
- Supplied with a replaceable, unique Hazardous Area certified anti-static protection film, designed to maximise longevity
- Replaceable Hazardous Area certified anti-static protection covers are also available for enhanced protection (available in packs of five)

Supplied with SY cable as standard, multiple cable options available (including H07RN-F, Helkarma, Ships Braided)

# TECHNICAL INFORMATION

## LIGHT OUTPUT DIAGRAM

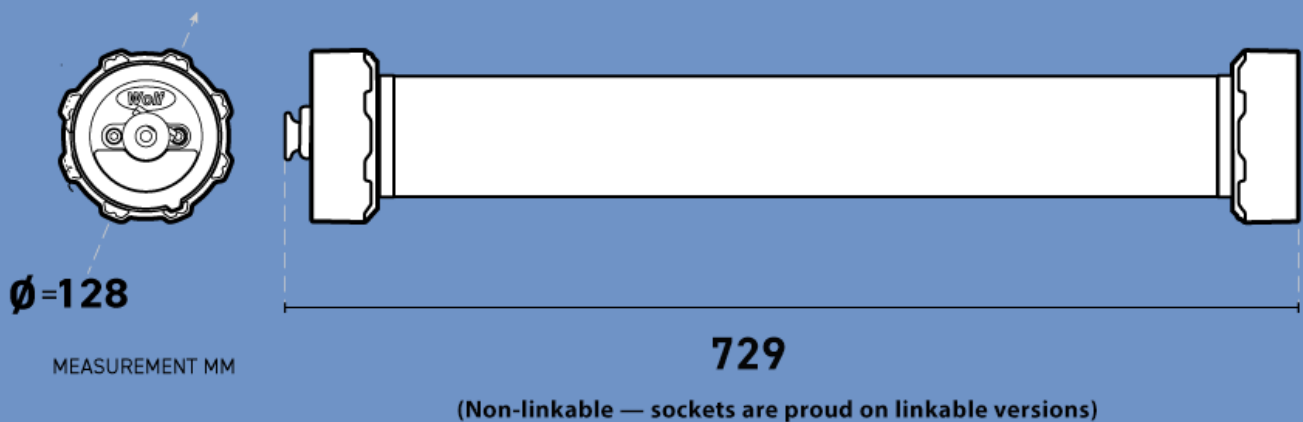


Wide angle beam, available as either 180° or 360° variants. 180° lux data shown above.

**180°**  
Peak Luminous Intensity at 2m **161 lux**

## PRODUCT DIMENSIONS

### ATEX LINKEX™ LED ATEX TEMPORARY LUMINAIRE



## LINKEX™ LED TEMPORARY LUMINAIRE

PRODUCT REFERENCE		LX-400	
PRODUCT DESCRIPTION		LinkEx LED ATEX Temporary Luminaire	
		Low Voltage (LV) 18 - 55 V AC/DC	High Voltage (HV) 90 - 264 V AC
CODE		Non-Linkable: II 2 GD Ex eb mb IIC T4 Gb Ex tb IIIC T135°C Db Linkable*: II 2 GD Ex eb mb IIC T4 Gb Ex tb IIIC T135°C Db	
TYPE OF PROTECTION		"eb" increased safety, "mb" encapsulation, "tb" enclosure,	
AREA OF CLASSIFICATION (GAS)		Zones 1 & 2, Gas Groups IIA, IIB, IIC	
TEMPERATURE CLASSIFICATION		T4	
AREA OF CLASSIFICATION (DUST)		Zones 21 & 22	
MAX. SURFACE TEMPERATURE (DUST)		135°C	
AMBIENT TEMPERATURE		-20°C to +55°C (45°C with LX-621 protective cover fitted)	
CERTIFICATE		CML 18ATEX3371X IECEX CML 18.0197X CML 21UKEX3644X	
ENCLOSURE AND LENS		Polycarbonate with Anti-static Coating	
BEAM TYPE		Wide Angle, Diffused Area Light (180° or 360°)	
LIGHT SOURCE:	TYPE	LED	
	LIFE	Over 60,000 hrs	
	OUTPUT	Up to 4,000 lm (at source)	
INPUT VOLTAGE		LV 18-50V AC/DC	HV 90-264V AC
POWER		26VA ≈25W	≈26W
WEIGHT (NON-LINKABLE)		3.0kg without cable	
LENGTH (NON-LINKABLE)		0.7m	
INGRESS PROTECTION		Non-Linkable (No Socket) IP67 / Linkable (Socket Fitted) IP66*	
INCLUDED		Supplied with a pair of hanging straps (LX-654)	

\* Linkable products with CEAG sockets are restricted to IP54 and are not approved for use in dust environments

All information has been gathered under laboratory conditions, the user must regard the values given as approximate. Changes may be made to the above specification without notification, details are available on request.



Wolf Safety Lamp Company  
Saxon Road Works, Sheffield S8 0YA, UK

T: +44 (0) 114 255 1051  
E: [info@wolfsafety.com](mailto:info@wolfsafety.com)

