

# LINKEX™ LED ATEX EMERGENCY TEMPORARY LUMINAIRE



WITHOUT COMPROMISE

## PRODUCT INFORMATION

The LinkEx™ LED Temporary Emergency Luminaire has all the product features of the existing LX-400 range of LED temporary luminaires - including the unique SOVI™ (Safe Optimal Voltage Indicator) system - and in addition provides increased safety by automatically switching to the battery power source should there be any interruption to the normal power supply. It is also available as an Exit version.



LX-400E Emergency Luminaire



### FEATURES

- Emergency Function: if the power supply should fail, the light will switch automatically to battery power
- 3 hours battery duration (at 50% light output) to allow emergency evacuation
- ATEX, IECEx and UKEX certified for use in Zones 1 and 2 explosive gas and dust atmospheres
- 3,000 lumens light output at source
- Features SOVI™ (Safe Optimal Voltage Indicator) - the unique safety technology which warns the user if the input voltage either exceeds the safe and certified range, or falls below the optimum voltage input range
- Available in HV (High Voltage) 90-264V AC and LV (Low Voltage) 18-55V AC/DC
- T4 temperature class; -20°C to + 55°C ambient temperature range
- Safe and certified down to 0 volts
- Unique Hazardous Area certified anti-static protection films and protection covers available
- Can be supplied with ATX, CEAG, Marechal or Stahl Ex plugs fitted
- High power, low maintenance LED light source 'Fitted for Life'
- Compact and robust design
- Wide range of fixing and mounting accessories available
- Switch and Exit versions available
- Supplied with hanging straps (LX-654)



LX-400E Emergency Luminaire Exit Version



Wolf Safety Lamp Company  
Saxon Road Works, Sheffield S8 0YA, UK

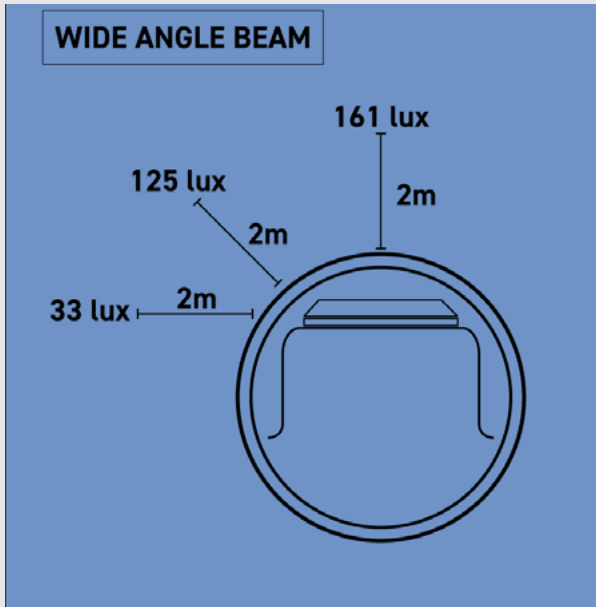
T: +44 (0) 114 255 1051

E: [info@wolfsafety.com](mailto:info@wolfsafety.com)



# TECHNICAL INFORMATION

## LIGHT OUTPUT DIAGRAM



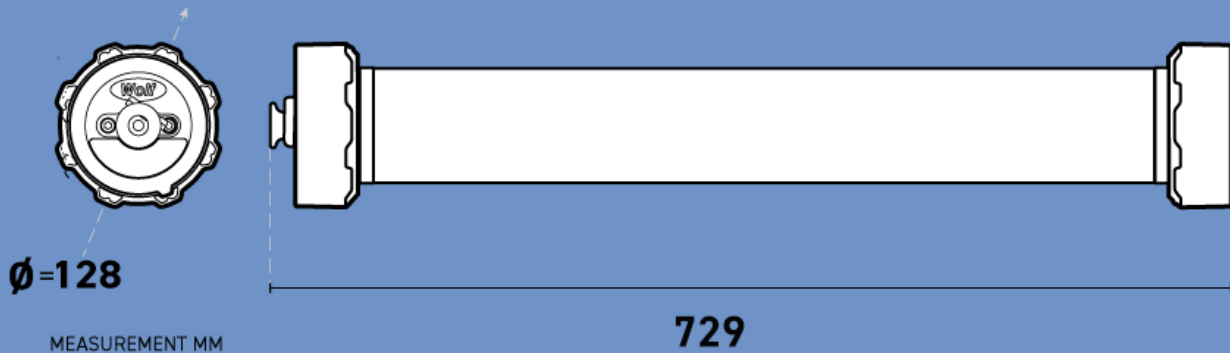
Wide angle beam, available as either 180° or 360° variants. 180° lux data shown to the left.

**180°**  
Peak Luminous Intensity at 2m **161 lux**

## PRODUCT DIMENSIONS

### ATEX LINKEX™ LED ATEX EMERGENCY TEMPORARY LUMINAIRE

LX-400EH/T4/SY10/ATX110, LX-400EHA110/T4/SY5, LX-400EH/T4/SY10/ATX230, LX-400EHA230/T4/SY5, LX-400ELA24/T4/SY5, LX-400EL/T4/SY10/ATX24



(non linkable - sockets are proud on linkable versions)

# TECHNICAL INFORMATION

## LX-400E EMERGENCY

PRODUCT REFERENCE	LX-400E LV (EMERGENCY)	LX-400E HV (EMERGENCY)
PRODUCT DESCRIPTION	LinkEx LED ATEX Emergency Temporary Luminaire	
PRODUCT DESCRIPTION	Emergency Low Voltage (LV) 18-55 V AC/DC	Emergency High Voltage (HV) 90-264V AC
CODE	Non-Linkable: II 2 GD Ex eb mb IIC T4 Gb Ex tb IIIC T135°C Db Linkable*: II 2 GD Ex eb mb IIC T4 Gb Ex tb IIIC T135°C Db Switch version: II 2GD Ex eb ib mb IIC T4 Gb Ex ib tb IIIC T135°C Gb	
TYPE OF PROTECTION	"eb" increased safety, "mb" encapsulation, "tb" enclosure, "ib" intrinsic safety	
AREA OF CLASSIFICATION	Zones 1 and 2, Gas Groups IIA, IIB, IIC	
TEMPERATURE CLASS	T4	
AREA OF CLASSIFICATION	Zones 21 & 22	
MAX SURFACE TEMP (DUST)	135°C	
AMBIENT TEMPERATURE	-20°C to +55°C (45°C with LX-621 protective cover fitted)	
CERTIFICATE	CML 18ATEX3371X IECEX CML 18.0197X CML 21UKEX3644X	
ENCLOSURE AND LENS	Polycarbonate with Anti-static Coating	
BEAM TYPE	Wide Angle, Diffused Area Light 180°	
LIGHT SOURCE	TYPE	LED
	LIFE	Over 60,000 hrs
	OUTPUT	Up to 3,000 lumens, (output on emergency battery is 1,500 lumens)
INPUT VOLTAGE (V)	18-55V AC/DC	90-264V AC
POWER	26VA ≈25W	≈26W
WEIGHT (NON-LINKABLE)	3.2kg without cable	
LENGTH (NON-LINKABLE)	0.7m	
INGRESS PROTECTION	Non-Linkable (No Socket) IP67 / Linkable (Socket Fitted) IP66	

\* Linkable products with CEAG sockets are restricted to IP54 and are not approved for use in dust environments



All information has been gathered under laboratory conditions, the user must regard the values given as approximate. Changes may be made to the above specification without notification, details are available on request.

Wolf Safety Lamp Company  
Saxon Road Works, Sheffield S8 0YA, UK

T: +44 (0) 114 255 1051

E: [info@wolfsafety.com](mailto:info@wolfsafety.com)

