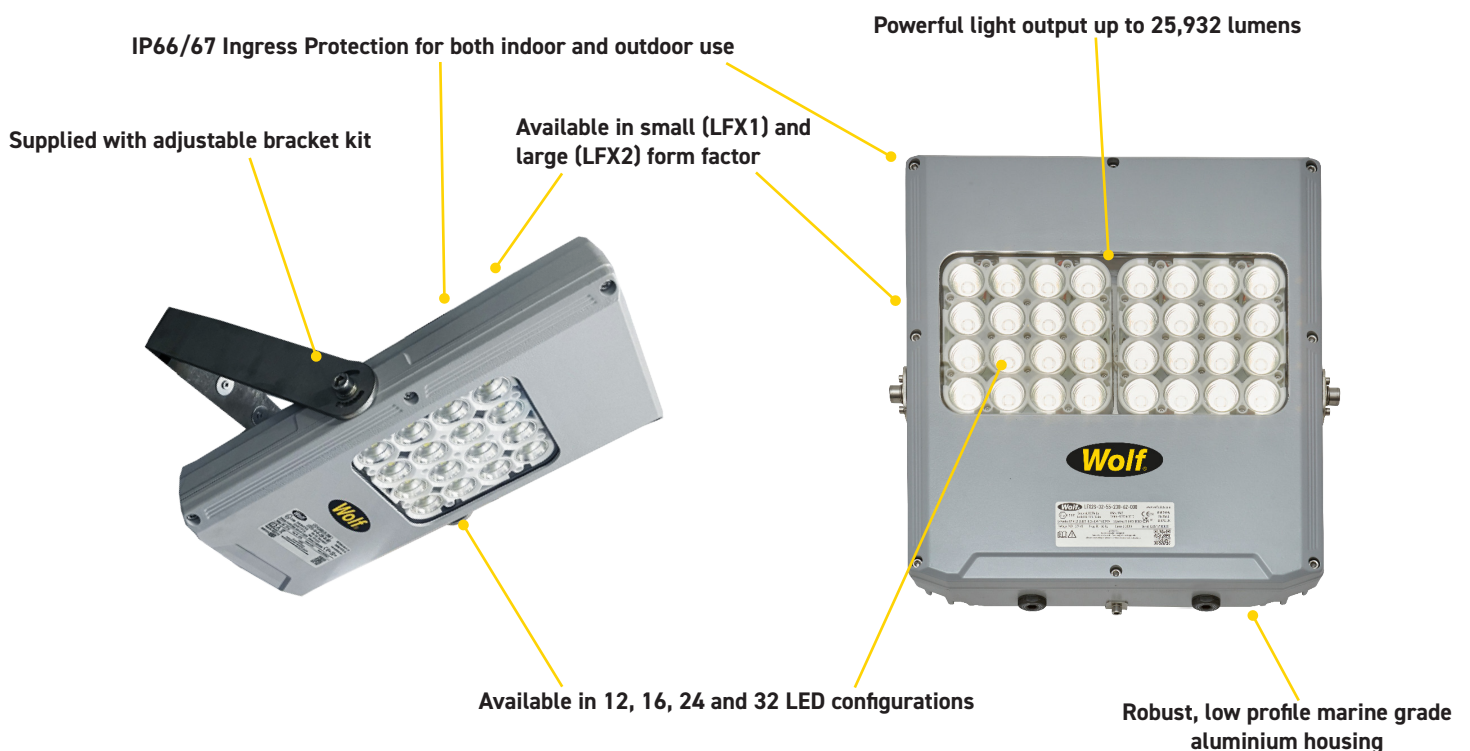


PRODUCT INFORMATION

The LFX range of high-power Hazardous Area LED installed floodlights is ideal for safely illuminating large Hazardous Areas that need wide, even light coverage. ATEX, IECEx and UKEX certified for safe use in Zones 1 and 21 potentially explosive atmospheres. The range is available with 12 or 16 LEDs in the LFX1 (small) housing; and 24 or 32 LEDs in the LFX2 (large) housing, along with 4 different beam angles to suit a wide range of applications. IP66/67 certified, and with a full range of fixing accessories, LFX Floodlites are ideal for both indoor and outdoor use.



FEATURES & BENEFITS

LIGHT OUTPUT

- Options for light output from 6,483 lumens to 25,932 - allowing you to choose according to your specific light level requirements
- Available in beam angles 36°, 45°, 62° and 102° - allow the light to be directed where needed
- 5000K white light for bright, crisp lighting that's ideal for general work area illumination

CERTIFICATIONS/SPECIFICATIONS

- ATEX, IECEx and UKEX certified for gas Zone 1 and Dust Zone 21
- T4 temperature class
- An IP66/67 rating means the LFX Floodlite™ is suitable for both indoor and outdoor use
- With all models having a lower ambient limit of - 50°C and high temperature versions up to +65°C being available, the LFX range is ideal for even the most extreme environments

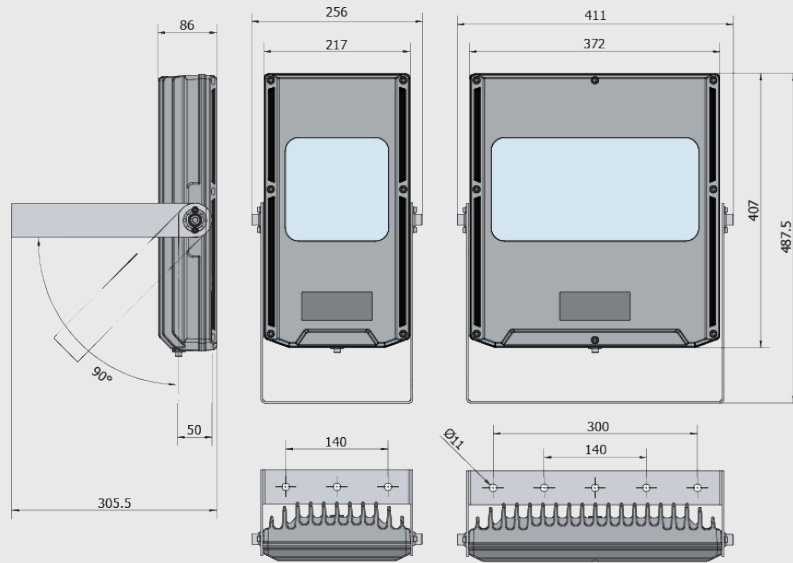
FEATURES

- Simple design ensures quick and easy installation
- 4 versions available; in 2 sizes - Small and Large - and 12/16 or 24/32 LED arrays
- Available as 110V and 230V versions
- A robust and durable aluminium body with toughened glass ensure long life and resistance to damage
- Ultra long life LEDs, configured to give 100,000+ hours life
- 5 year warranty
- IES files available upon request

TECHNICAL INFORMATION

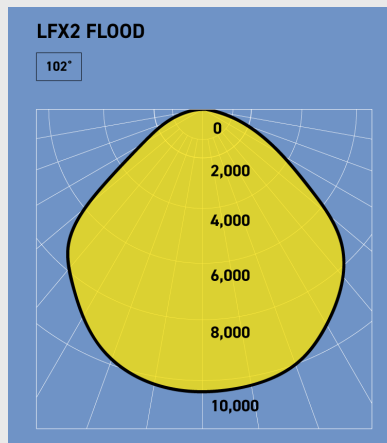
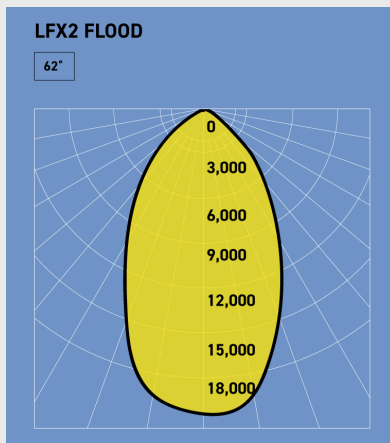
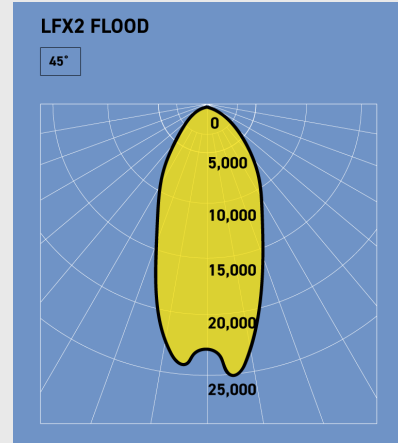
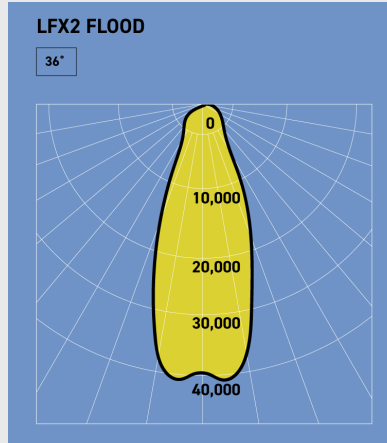
PRODUCT DIMENSIONS

LFX FLOODLITE™



LIGHT OUTPUT DIAGRAM

Light output diagrams are shown for LFX Floodlite™ models with 32 LEDs (LFX2S-32-XX).



LFX FLOODLITE™ TECHNICAL TABLE

LFX FLOODLITE™								
Product Reference	LFX1S-12-55	LFX1S-12-65	LFX1S-16-45	LFX1S-16-55	LFX2S-24-50	LFX2S-24-60	LFX2S-32-50	LFX2S-32-55
Code	II 2 G Ex eb mb IIC T4 Gb II 2 D Ex tb IIIC T110°C Db							
Certification	ExVeritas 19 ATEX 0586X / IECEx EXV 19.0079X / ExVeritas 21 UKEX 0939X							
Input Voltage Range	88 - 140V AC or 80 - 277V AC							
Input Power	67.5W	45W	90W	60W	135W	90W	180W	120W
Frequency	50 - 60 Hz							
Power Factor	>0.90							
Enclosure Size	Small				Large			
Lumen Output (Max)*	9,724	6,483	12,996	8,644	19,449	12,996	25,932	17,288
LEDs	12 LED	12 LED	16 LED	16 LED	24 LED	24 LED	32 LED	32 LED
Beam Angles	Narrow (36°), Medium (45°), Wide (62°), Ultra Wide (102°)							
Ingress Protection	IP66/67 (depending on gland fitted)							
Gas Temp. Class	T4							
Dust Surface Temp.	110°C							
Lower Temp. Limit	-50°C							
Upper Temp. Limit	55°C	65°C	45°C	55°C	50°C	60°C	50°C	55°C
Weight	9.5kg				15.5kg			
Colour Temperature	5000K							

*Lumen output figures stated are for 230V AC, obtained through industry-standard testing procedures.

LFX2S-32-55-230 is restricted to 53°C and FX2S-32-50-230 is restricted to 46°C ambient temperatures when uplighting.

LFX2S-32 products must not be mounted with the cable entry at the top. Further options are available, please contact Wolf Safety for more information.

LFX1S-12 units are not provided with through wiring unless specified by the customer.



Wolf Safety Lamp Company
Saxon Road Works, Sheffield S8 0YA, UK

T: +44 (0) 114 255 1051
E: info@wolfsafety.com

