

40CM FAN / VENTILATOR



WITHOUT COMPROMISE

PRODUCT INFORMATION

The 40cm VF-EFi150xx fan is the largest in the range and produces a class leading airflow of up to 4,459 cfm (7,580 m³/hr).

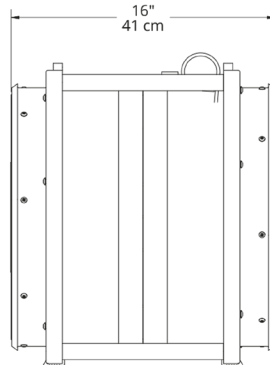
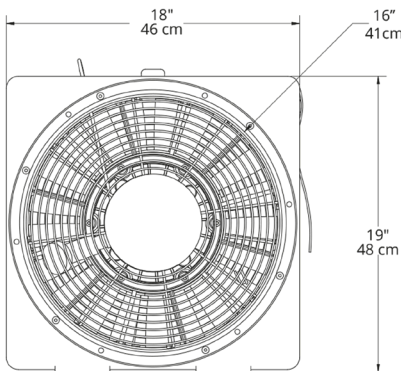
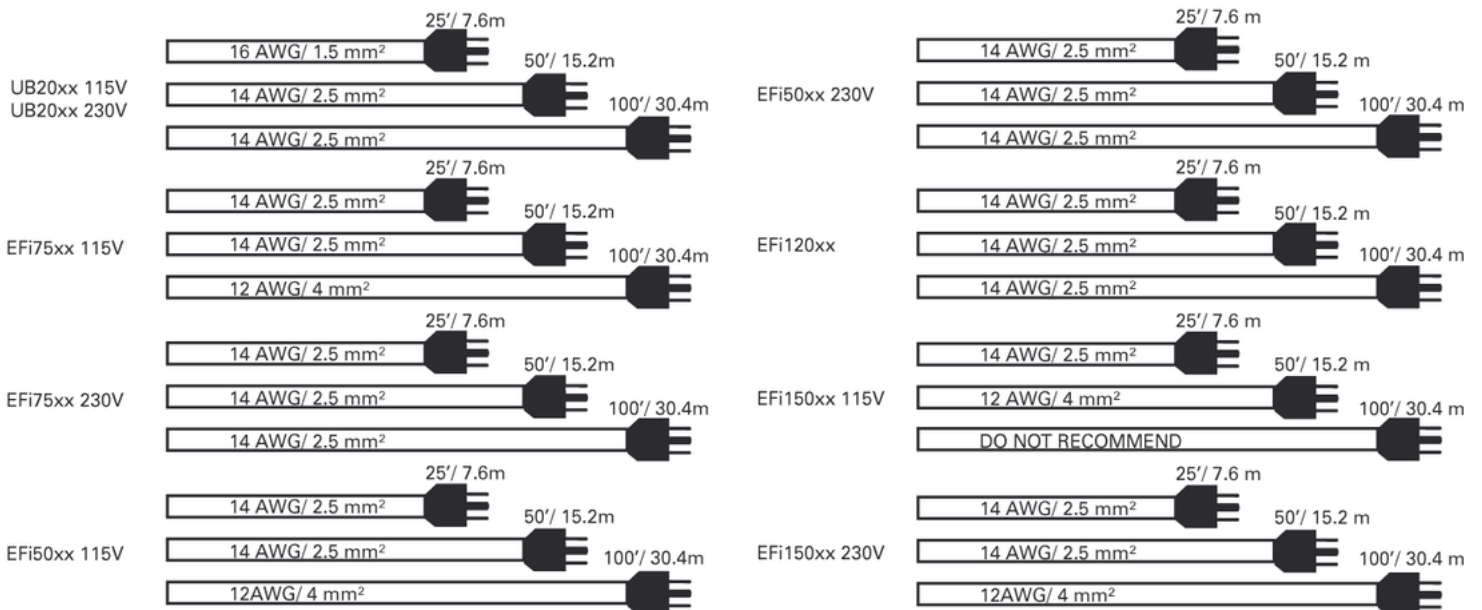


40cm UB20XX Hazardous Area Fan / Ventilator

FEATURES

- ATEX and IECEx certified for use in Zone 1 & 2
- Class leading air-flow at up to 4,459 cfm (7,580 m³/hr)
- Durable, PC/ABS anti-static casing in weatherproof, flame retardant and chemical resistant
- IP55 water tight rain tested switch enclosure
- Voltage range: 115V/230V
- Flexible, anti-static ducting available

CABLE LENGTHS



TECHNICAL INFORMATION

40CM FAN / VENTILTOR		
PRODUCT REFERENCE	VF-EF1150XX (115V)	VF-EF1150/230V
PRODUCT DESCRIPTION	115V 40cm Hazardous Location Fan / Ventilator	230V 40cm Hazardous Location Fan / Ventilator
CODE	II 2 G Ex db eb IIB T6 Gb II 2 G Ex h IIB T6 Gb	
PRODUCT DESCRIPTION	30cm Hazardous Area Fan / Ventilator	
TYPE OF PROTECTION	'db' flameproof enclosures 'eb' increased safety 'h' non-electrical equipment	
AREA OF CLASS (GAS)	Zones 1 and 2, Gas Groups IIA and IIB	
MAX SURFACE TEMP (GAS)	T6	
AMBIENT TEMP. (GAS)	-20°C TO +40°C	
CERTIFICATE	DEMKO 09 ATEX 0926969X IECEX UL 13.0062X	
ENCLOSURE	Anti-static PolycarbonateABS Alloy	
MOTOR	1.5 Hp (1.1kW)	
VOLTAGE	115V 50/60Hz	230V 50/60Hz
AMPS: START/RUN	115V: 80A 115V: 15A	230: 40A 230: 8A
AIRFLOW - FREE AIR	4,459 cfm (7,580 m ³ /hr)	
AIRFLOW - THROUGH DUCT: 4.6M WITH ONE 90° TURN	3,179 cfm (5,404 m ³ /hr)	
INGRESS PROTECTION	IP55	
DIMENSIONS (H/W/D)	48 x 46 x 41 cm	
WEIGHT	28kg	
DUCT ADAPTERS	2	
NOISE	90.2 db @ 1m	

All information has been gathered under laboratory conditions, the user must regard the values given as approximate. Changes may be made to the above specification without notification, details are available on request.



Wolf Safety Lamp Company
Saxon Road Works, Sheffield S8 0YA, UK

T: +44 (0) 114 255 1051
E: info@wolfsafety.com

