

LINKEX™ WF-250XL & WF-300XL LED FLOODLITE™



WITHOUT COMPROMISE

WF-250XL & WF-300XL ZONES **1 2 21 22**

PRODUCT INFORMATION

WF-250XL

The LinkEx™ WF-250XL LED Floodlite™ is designed to give the optimum level of light for working in smaller Hazardous Areas and confined spaces from its innovative and patented light engine. Ideal for 24 volt applications and in situations with a limited power supply, up to 8 WF-250XL Floodlites can be used from just one 400VA Wolf transformer.

WF-300XL

The LinkEx™ WF-300[®]XL LED Floodlite™ is a high performance, robust, lightweight and portable ATEX LED floodlight for use in potentially explosive atmospheres. With its innovative and patented light engines, it delivers an outstanding level of white light that is ideal for small teams completing tasks requiring perception of fine details or inspection.



KEY INFORMATION

WOLF WF-250XL & WF-300XL FLOODLITES

LIGHT OUTPUT / POWER

- Available in HV (High Voltage) 90-264V AC/DC and Low Voltage (LV) 18-50V AC/DC models

CERTIFICATION

- Fully compliant with latest ATEX and IECEx standards
- IP66/67 dust and watertight

FEATURES

- Innovative patented light engine
- Highly reliable LEDs
- Designed and tested to give 100,000+ hours life
- LED life assured by efficient heat dissipation through built in fins and electronic control
- Effective work area illumination when using a limited power source

- A perfect task light to complement Wolf's range of LinkEx™ LED area lights
- LINKEx™ capable - both LV and HV models of each floodlight can be fitted with linkable sockets.
- SOVI™ - Wolf's unique Safe Optimal Voltage Indicator system alerts the user if lights are running outside certified and optimal voltage ranges, maximising safety
- Safe to 0 volts - both LV and HV units are safe down to 0 volts
- Proven materials designed for environments with a high risk of mechanical damage:
 - Marine grade aluminium enclosure
 - Toughened, scratch, impact and chemical resistant glass lens
 - 316 stainless steel frame.
 - Easy to clean, doesn't harbour dirt

WF-250XL

LIGHT OUTPUT / POWER

- Up to 4,788 lumens

FEATURES

- Ideal light output for smaller confined spaces - with reduced glare and shadows
- LINKEx™ capable - Up to 8 LV lights can be connected to one Wolf 400VA transformer
- Small, lightweight and compact - easy to carry

WF-300XL

LIGHT OUTPUT / POWER

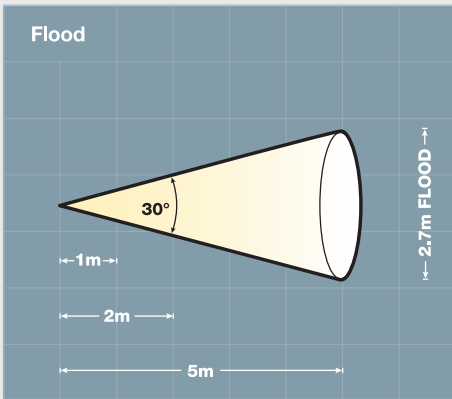
- Up to 9,576 lumens

FEATURES

- Dual independent LED system - LEDs powered by independent drivers giving failsafe product reliability
- LINKEx™ capable - up to 4 LV lights can be connected to one Wolf 400VA transformer

TECHNICAL INFORMATION

LIGHT OUTPUT DIAGRAM



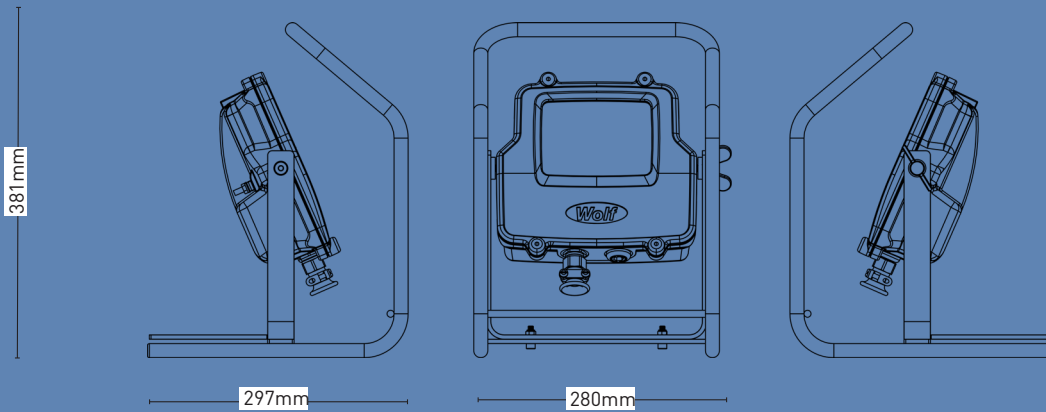
LUX DATA

WF-250XL: Up to 4,788 lumens,
1,630 lux @ 2m, 250 lux @ 5m

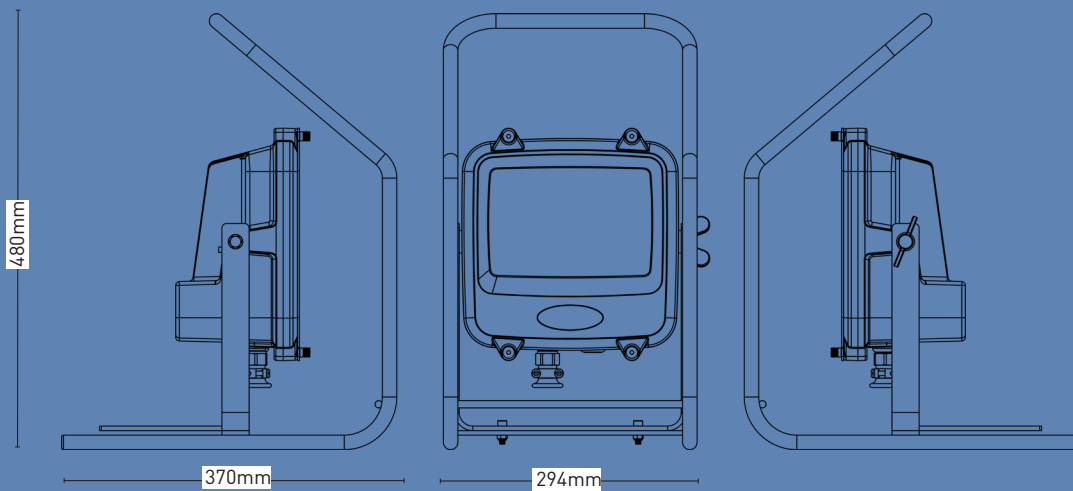
WF-300@XL: Up to 9,576 lumens,
3,573 lux @ 2m, 572 lux @ 5m

PRODUCT DIMENSIONS

WF-250XL



WF-300XL



ATEX/IECEX LINKEX™ FLOODLITE

PRODUCT REFERENCE	WF-250XL		WF-300®XL		
PRODUCT DESCRIPTION	LinkEx™ LED Floodlite		LinkEx™ LED Floodlite		
CODE	II 2 G D Ex eb mb IIC T4 Gb Ex tb IIIC T118°C Db		II 2 G D Ex eb mb IIC T4 Gb Ex tb IIIC T118°C Db		
TYPE OF PROTECTION	'eb' increased safety 'mb' encapsulation 'tb' enclosure protection				
AREA OF CLASSIFICATION (GAS)	Zones 1 and 2, Gas Groups IIA, IIB and IIC				
TEMPERATURE CLASSIFICATION	T4				
AREA OF CLASSIFICATION (DUST)	Zones 21 and 22, Dust Groups IIIA, IIIB and IIIC				
MAX. SURFACE TEMPERATURE (DUST)	T118°C				
AMBIENT TEMPERATURE	-40°C to +55°C				
CERTIFICATE	CML 18ATEX3372X IECEX CML 18.0198X				
VOLTAGE	18-50V AC/DC	90-264V AC/DC	18-50V AC/DC	90-264V AC/DC	
POWER	28w	31w	55w	62w	
ENCLOSURE	Marine grade aluminium alloy, epoxy powder coated				
LENS	Toughened Glass				
BEAM TYPE	Medium Flood				
LIGHT SOURCE:	TYPE	18 x White High Power LEDs		36 x White High Power LEDs	
	LIFE	100,000+ hrs			
	OUTPUT AT LED SOURCE (LUMENS)	Up to 4,788		Up to 9,576	
WEIGHT	5.4kg (excluding cable)		7.3kg (excluding cable)		
INGRESS PROTECTION	IP66/67				
INCLUDED	Supplied with bridle and lamp stand				

All information has been gathered under laboratory conditions, the user must regard the values given as approximate. Changes may be made to the above specification without notification, details are available on request.



Wolf Safety Lamp Company
Saxon Road Works, Sheffield S8 0YA, UK

T: +44 (0) 114 255 1051
E: info@wolfsafety.com

