

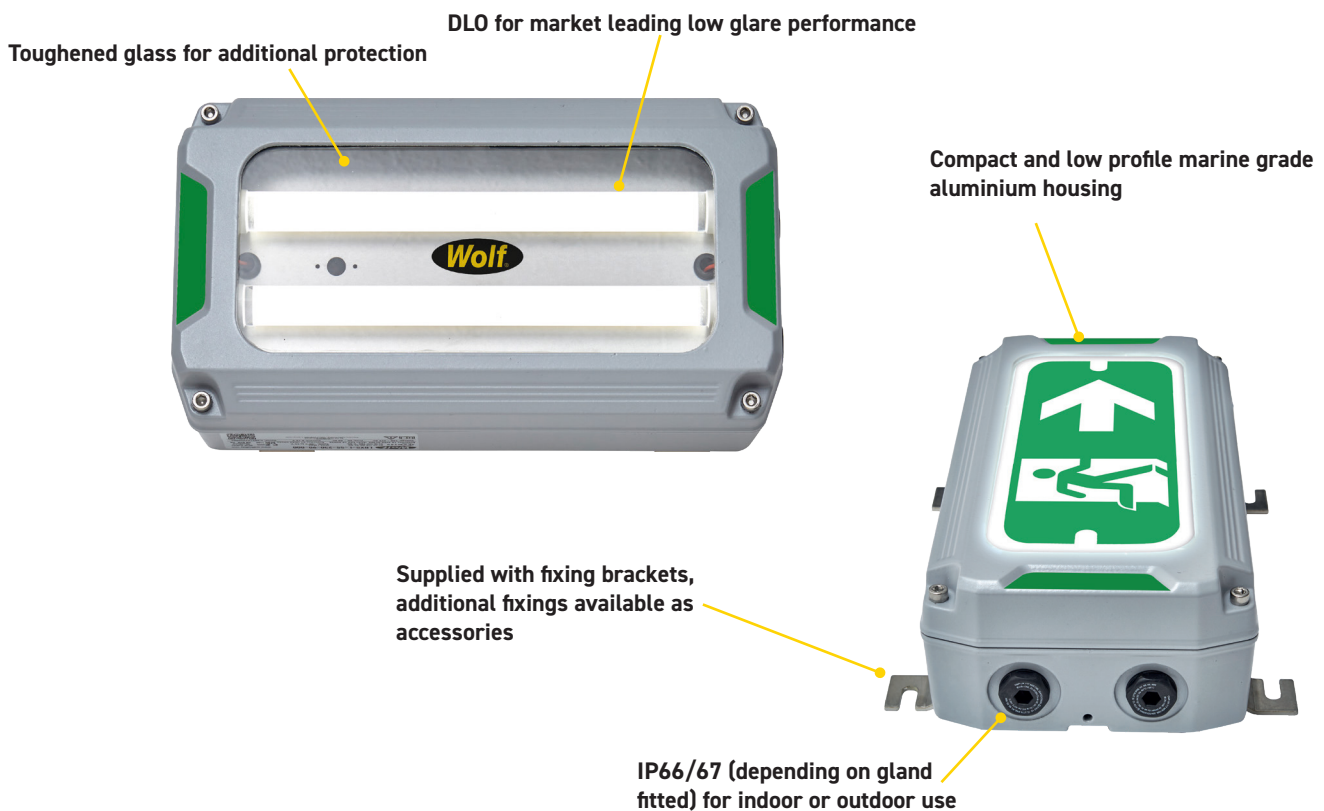
LBXE EMERGENCY BULKHEAD



LBXE EMERGENCY BULKHEAD ZONES **1** **2** **21** **22**

PRODUCT INFORMATION

The LBXE LED Emergency Bulkhead is a compact, versatile and robust light ideal for safely illuminating walkways, steps and entrances within Hazardous Areas. ATEX, IECEx, and UKEX certified for safe use in Zones 1/21, all models in the range feature our unique, patented Directional Linear Optics (DLO) technology, meaning there's low glare for workers comfort and wellbeing - even when installed at eye level. All models are IP66/67 rated, making them perfect for both indoor and outdoor use.



FEATURES & BENEFITS

LIGHT OUTPUT

- Directional Linear Optics (DLO) technology ensures low glare, even when installed at eye level
- Available with a 90° beam angle as standard (110° also available upon request)
- The Emergency Bulkhead offers a max light output of 1,629 lumens
- Supplied with optional label kit to direct workforce to exits in case of emergency

CERTIFICATIONS/SPECIFICATIONS

- ATEX, IECEx and UKEX certified for gas Zone 1 and Dust Zone 21 Versions with extremely wide operating temperatures available -40°C to +59°C make the LBXE Emergency Bulkhead suitable for even the most inhospitable of regions
- An IP66/67 (depending on the gland fitted) rating means the LBXE Emergency Bulkhead is suitable for both indoor and outdoor use

FEATURES

- Simple design ensures quick and easy installation and maintenance
- Four gland apertures (2x each end) to support through wiring arrangements
- Available as 100-140V and 200-277V AC versions
- Robust and durable, cast aluminium body with toughened glass ensure long life and resistance to damage
- Ultra long life LEDs - configured to give 100,000+ hours life
- 5 year warranty
- IES files available upon request

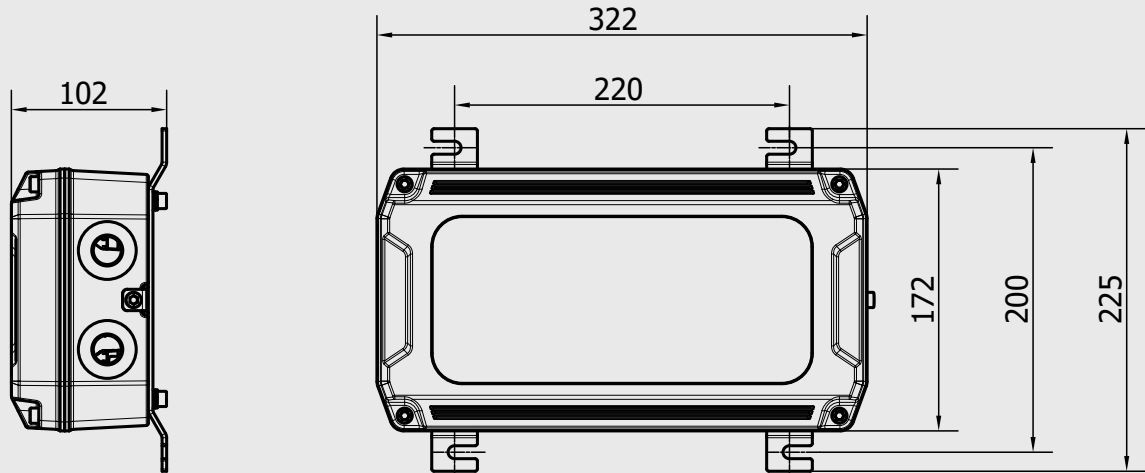
EMERGENCY MODE DURATION (installer selects at point of installation):

- 4 hours at 25% lumen output (max)
- 2 hours at 50% lumen output (max)
- 1 hour at 100% lumen output (max)

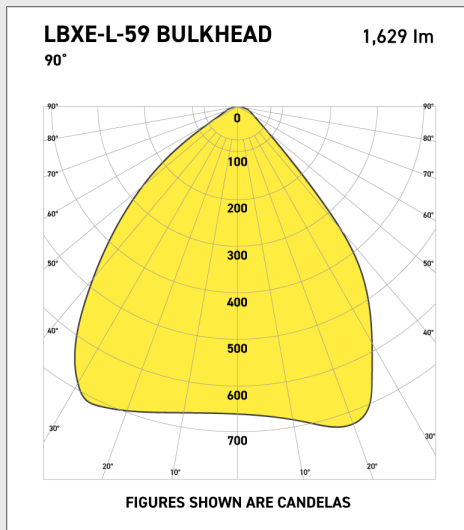
TECHNICAL INFORMATION

PRODUCT DIMENSIONS

LBXE EMERGENCY BULKHEAD



LIGHT OUTPUT DIAGRAM



LBX BULKHEAD TECHNICAL TABLE

LBXE EMERGENCY BULKHEAD		
PRODUCT REFERENCE	LBXE-L-59	LBXN-L-59
Code	II 2 G Ex eb mb IIC T4 Gb II 2 D Ex tb IIIC T80°C Db	
Certificate	ExVeritas 19 ATEX 0439X / IECEx EXV 19.0002X / ExVeritas 21 UKEX 0945X	
Input Voltage Range	100-140V AC; 200-277V AC	
Input Power	32W	6W
Frequency	50 - 60 Hz	
Power Factor	>0.90	
Lumen Output (Max)*	1,629 (output dependent on duration setting 1, 2 or 4 hours)	
LED Module & QTY	1x DLO	
Beam Angles	90° (110° upon request)	
Ingress Protection	IP66/67 (depending on gland fitted)	
Lower Temp. Limit	-40°C	
Upper Temp. Limit	59°C	
Weight	5.5kg	
Colour Temperature	5000K	

*Lumen output figures stated are for 230V AC

All information has been gathered under laboratory conditions, the user must regard the values given as approximate. Changes may be made to the above specification without notification, details are available on request. E&OE.

(The Emergency Bulkhead can be wired as a "maintained" or "non-maintained" version - the table shows "maintained" data on the left, "non-maintained" on the right)



Wolf Safety Lamp Company
Saxon Road Works, Sheffield S8 0YA, UK

T: +44 (0) 114 255 1051
E: info@wolfsafety.com



WWW.WOLFSAFETY.COM