

GB

**Wolf ATEX Torch Range
Operation and Maintenance
Instructions Please retain
- read before use**

EU Declaration of Conformity

The Wolf ATEX Torch Range (TR-24B, TS-24B, TR-26B and TS-26B) meets all relevant provisions of the 2014/34/EU Explosive Atmospheres (ATEX Equipment) directive by virtue of the issued EU type examination certificate, demonstrating compliance with all relevant harmonised standards and essential health and safety requirements.

Wolf ATEX torches are self contained primary cell powered flashlights/torches, moulded in high impact plastic, approved as Group II Category 2 equipment for use in zone 1 & 2 potentially explosive gases, vapours, mists where the IIB gas group permits, and zone 21 & 22 potentially explosive dusts where approval code temperature class/surface temperature of specific models apply. For detailed information on applicable codes with battery and bulb details, see attached table.

Do not open torch in Ex Areas

Do not mix cells

Do not use rechargeable cells

Damaged equipment should be repaired before further use

Caution - Polycarbonate lens, check Ex atmospheres for compatibility

Notified Body: SGS FIMKO OY., P.O. Box 30 (Särkinientie 3) 00211 HELSINKI, Finland.

Notified body number: **0598**

**EU Type Examination Certificate:
BAS02ATEX2220X**

EN IEC 60079-0:2018*, (+EN 60079-0:2012 +A11:2013), EN IEC 60079-7:2015+A1:2018*, (+EN60079-7:2015), EN60079-11:2012, EN60079-31:2014

*A subsequent review of the harmonised standards demonstrated the Wolf ATEX Torches are not affected by the formal changes to maintain compliance.

Ingress protection level: **IP67** to EN60529:1992

The TS/TR-24B/26B is compliant with the 2011/65/EU RoHS Directive to the harmonised standard EN IEC 63000:2018

This declaration is issued under the sole responsibility of Wolf Safety Lamp Company.

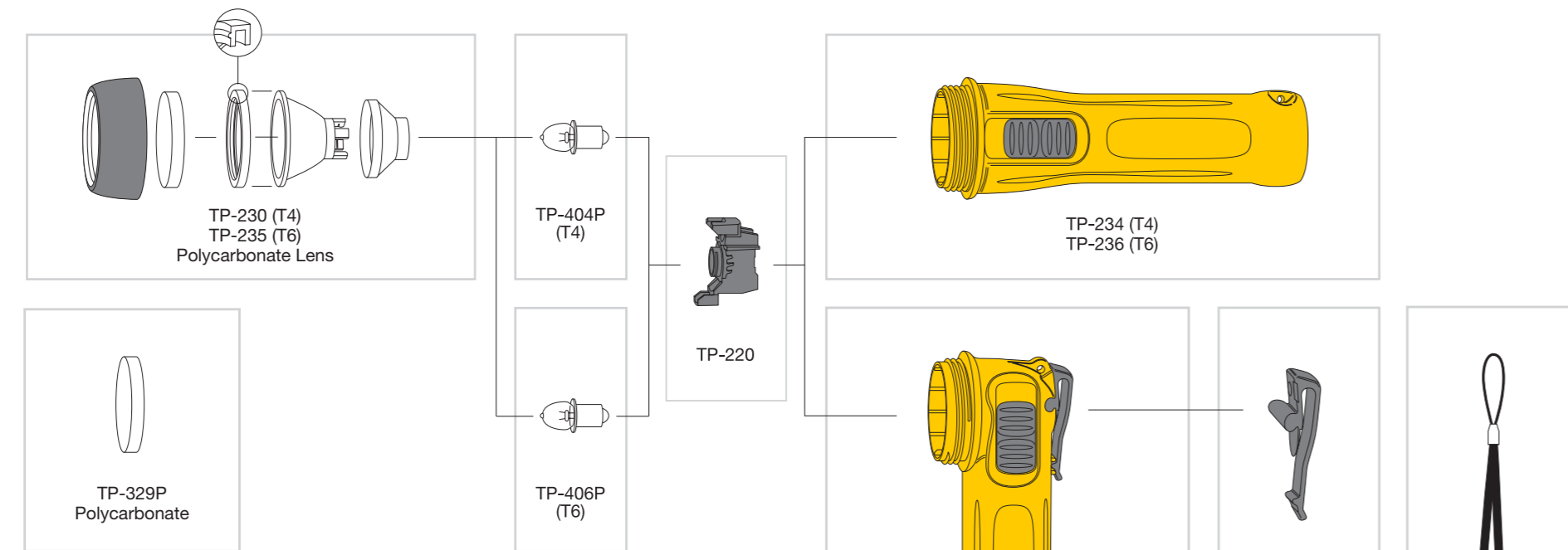
Alex Jackson - Managing Director
Wolf Safety Lamp Company Ltd.
Sheffield, S8 0YA, UK
Dated: 01 September 2023

(X) Specific Conditions of Use

Only use cell/battery types specified.

Use only genuine Wolf replacements parts.

The Wolf Safety Lamp Co. Ltd has a policy of continuous product improvement. Changes in design details may be made without prior notice.



UK CA 1180
UK Declaration of Conformity

The TR-24B, TS-24B, TR-26B and TS-26B meets all the statutory requirements of the Equipment and Protective Systems Intended for Use in Potentially Explosive Atmospheres Regulations 2016, UKSI 2016/1107 as amended by UKSI 2019/696 by virtue of the issued UKEX type examination certificate, demonstrating compliance with all relevant designated standards and essential health and safety requirements.

For detailed information on applicable codes with battery options, see attached table.

Approval Body: SGS Baseefa Ltd, Rockhead Business Park, Staden Lane, Buxton, SK17 9RZ, UK.

Approval body number: **1180**

UK Type examination certificate: **BAS21UKEX0431X**

Designated Standards Applied: EN IEC 60079-0:2018, EN IEC 60079-7:2015+A1:2018, EN 60079-11:2012, EN60079-31:2014

The TS/TR-24B/35+ is compliant with the Restriction of the Use of Certain Hazardous Substances in Electrical and Electronic Equipment Regulations 2012, UKSI 2012/3032 to the designated standard EN IEC 63000:2018.

This declaration is issued under the sole responsibility of Wolf Safety Lamp Company.

Alex Jackson - Managing Director
Wolf Safety Lamp Company
Sheffield, S8 0YA, UK
Dated 01 September 2023

(X) Specific Conditions of Use
Only use cell/battery types specified.

IECEx Approval

IECEx Scheme Certificate Number:
IECEx BAS 15.0033X

Models TS-24B, TR-24B, TS-26B & TR-26B

For detailed information on applicable codes with battery options, see table.
IEC Standards Applied: IEC 60079-0:2011, IEC 60079-11:2017, IEC 60079-7:2015, IEC 60079-31:2013

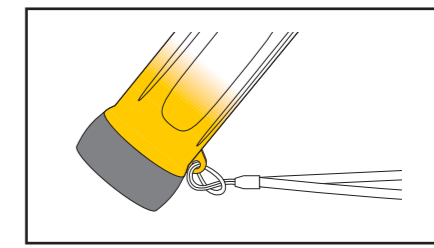
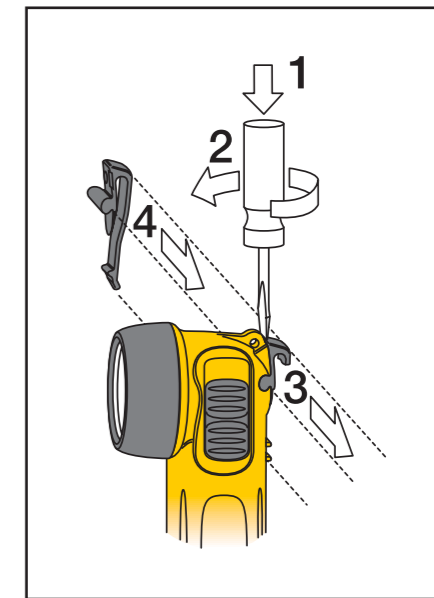
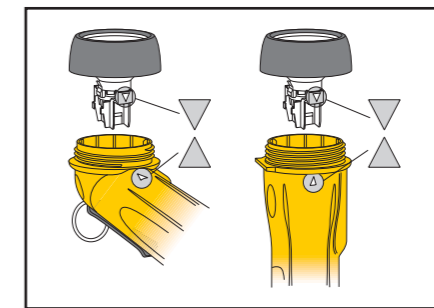
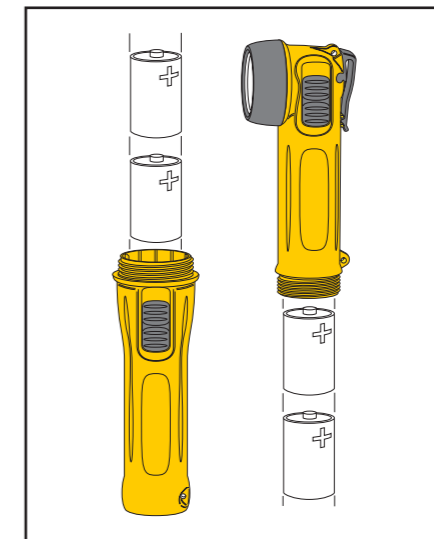
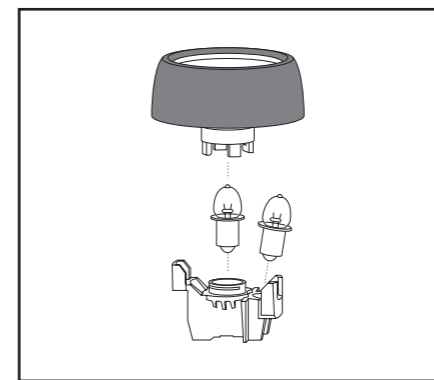
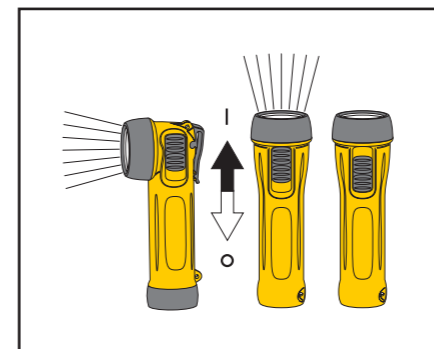
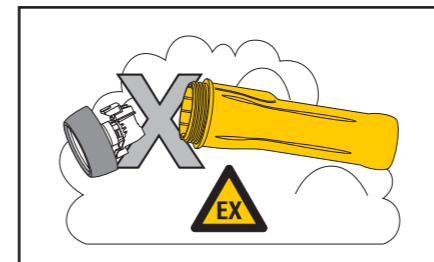
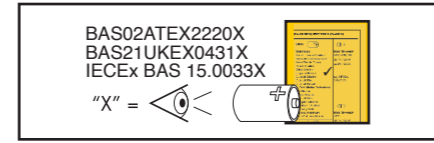
Ingress Protection Level: IP67 to IEC 60529:2001

(X) Specific Conditions of Use
Only use cell/battery types specified.

'X' Condition: Only the Cells/Batteries listed below may be used

TR-24B II 2GD Ex eb ib IIB T4 Gb Ex tb IIIC T95°C Db (-20°C ≤ Ta ≤ +40/55°C) TS-24B II 2GD Ex eb ib IIB T4 Gb Ex tb IIIC T95°C Db (-10°C ≤ Ta ≤ +40/55°C)	R20 ✓	LR20 ✓	Wolf TP-404P HPX, KPR, PR: ≥2.4V, ≤0.93A ≥2.2V, ≤0.85A e.g. HPX23, 2.4V, 0.7A
G (Gas): T4 D (Dust): T95°C TR-24B -20°C ≤ Ta ≤ +40°C TS-24B -10°C ≤ Ta ≤ +40°C	R20 ✓	LR20 ✓	Wolf H-20 Kodak Alkaline Exide Alkaline Cegasa Alkaline Duracell Alkaline Industrial by Duracell Duracell Plus Duracell Procell Hi-Tech Alkaline Professional RS Alkaline Sanyo Alkaline Duracell Ultra Energizer Alkaline Energizer Industrial Eveready Gold Rayovac Maximum Pifco Optimax Alkaline Procell Constant
G (Gas): T4 (Ta=55°C) D (Dust): T95°C TR-24B -20°C ≤ Ta ≤ +55°C TS-24B -10°C ≤ Ta ≤ +55°C	R20 ✓	LR20 ✓	Wolf H-20 Duracell Ultra Energizer Alkaline Energizer Industrial Eveready Gold

TR-26B II 2GD Ex eb ib IIB T6 Gb Ex tb IIIC T65°C Db (-20°C ≤ Ta ≤ +40°C) TS-26B II 2GD Ex eb ib IIB T6 Gb Ex tb IIIC T65°C Db (-10°C ≤ Ta ≤ +40°C)	R20 ✓	LR20 ✗	Wolf TP-406P PR: ≥2.4V, ≤0.5A e.g. PR2, 2.4V, 0.5A
G (Gas): T6 D (Dust): T65°C TR-26B -20°C ≤ Ta ≤ +40°C TS-26B -10°C ≤ Ta ≤ +40°C	Wolf T-20 Philips Longlife GP Greencell		



Spare Parts	Model			
	T4		T6	
	TR-24B	TS-24B	TR-26B	TS-26B
TP-230	T4 Lens Ring Assembly (Polycarbonate Lens)	✓*	✓	-
TP-235	T6 Lens Ring Assembly (Polycarbonate Lens)	-	✓*	✓
TP-404P	T4 Bulb (Pack of 2) Xenon	✓	✓	-
TP-406P	T6 Bulb (Pack of 2) Vacuum	✓	✓	✓
TP-220	Bulbholder Assembly	✓	✓	✓
TP-234	T4 Straight Torch Body Assembly	-	✓	-
TP-236	T6 Straight Torch Body Assembly	-	-	✓
TP-244	T4 Right Angle Torch Body Assembly	✓	-	-
TP-246	T6 Right Angle Torch Body Assembly	-	-	-
TP-343	Clip Moulding	✓	✓	-
TP-448	Base 'O' Seal	✓	✓	-
TP-250	End Cap Assembly	✓	✓	-
TP-260	Wrist Strap	✓	✓	✓
T-20	R20 Cell	✓	✓	✓
H-20	LR20 Cell	✓	✓	-
TP-329P	Polycarbonate Lens	✓	✓	✓

*Glass Lens options available on request.

Wolf

**WOLF ATEX
SAFETY TORCH**

ATEX approved for
explosive gas and
dust atmospheres

TS-24B & TR-24B
TS-26B & TR-26B

Operation and
Maintenance
Instructions

UK CA 1180
CE 0598
EX
IECEx

