

# TY-300 PORTABLE ATEX LED INSPECTION LIGHT



WITHOUT COMPROMISE

TY-300 ZONES **1** **2** **21** **22**

## PRODUCT INFORMATION

The TY-300 is a compact and lightweight, portable ATEX Zone 1/21 LED inspection lamp. It can be comfortably handheld for close-up inspection work, or suspended by the integrated swivel hooks for use as a temporary task light. Its user-serviceable, low-maintenance design makes it a practical choice for tough, high-demand environments.



Swivel hooks allow the lamp to be suspended and used for hands-free task lighting

DLO (Directional Linear Optics) technology reduces glare

Anti-static handles

Transparent tubes with a unique anti-static matrix for maximum light output

Available in 2 sizes

## KEY INFORMATION

### CERTIFICATION

- ATEX and IECEx approved for Gas Zones 1 and 2, and Dust Zones 21 and 22
- IP Rating IP66 - ideal for both indoor and outdoor use
- Ambient approved -20°C to +40°C

### LIGHT OUTPUT

- Up to 1,390 lumens (emitted)
- Patented DLO (Directional Linear Optics) technology for low glare

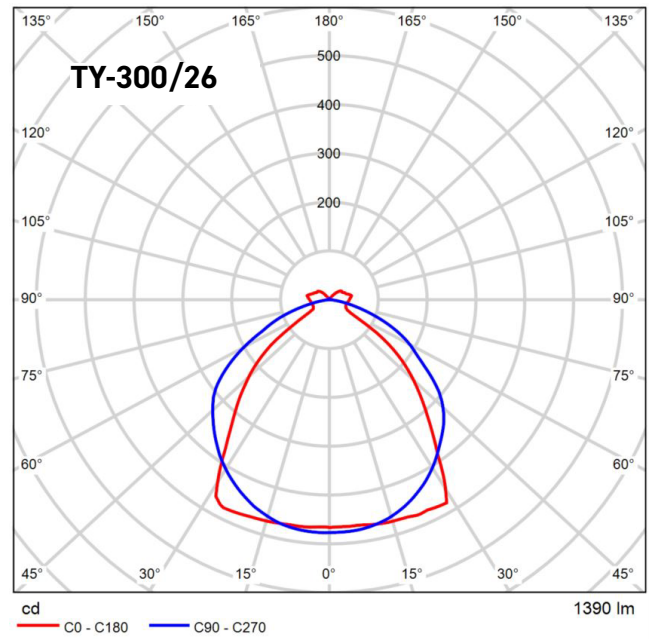
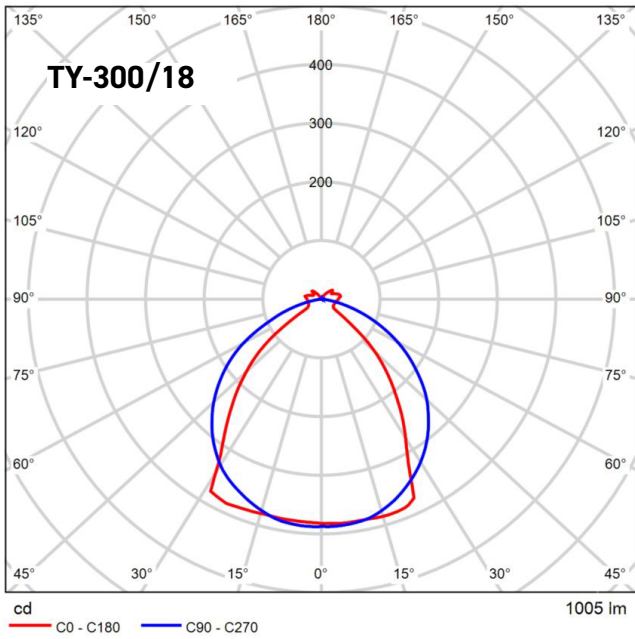
### FEATURES

- User serviceable low-maintenance design
- Available in 2 sizes: 640 mm or 910 mm
- 110V and 230V models available
- Compact and lightweight for close-up handheld inspection work
- Supplied with 2 integrated swivel hooks: 1 or 2 hooks can be used to suspend the lamp vertically or horizontally for temporary lighting applications
- Hexagonal endcaps allow the lamp to be laid on surfaces and angled towards the work area
- Supplied with 10 m of H07RN-F 3 core flexible 1.5mm<sup>2</sup> cable as standard
- Can be supplied with fitted ATX, CEAG, Marechal or Stahl Ex plugs
- Designed to permit users to easily change the cable
- Ex Certified replaceable anti-static film available to prevent damage from dirt, debris and paint

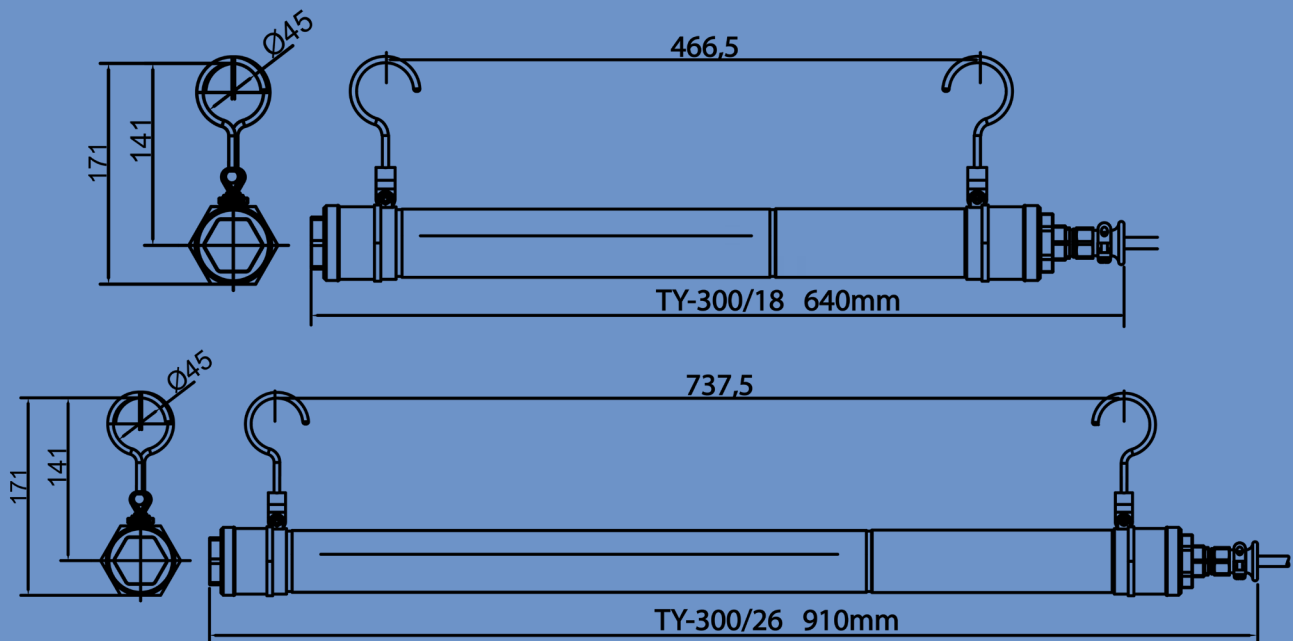


# TECHNICAL INFORMATION

## LIGHT OUTPUT DIAGRAMS



## PRODUCT DIMENSIONS



## ATEX LED PORTABLE INSPECTION LIGHT

PRODUCT REFERENCE	110V TY-300/18	110V TY-300/26	230V TY-300/18	230V TY-300/26
PRODUCT DESCRIPTION	ATEX LED Portable Inspection Lamp			
CODE	II 2 G Ex eb mb IIC T4 Gb II 2 D Ex tb IIIC T80°C Db			
CERTIFICATE NUMBERS	ExVeritas 24ATEX1826X / IECEx EXV 24.0024X / ExVeritas 24 UKEX 1827X			
AREA OF CLASSIFICATION (GAS)	Zones 1 & 2			
TEMPERATURE CLASS (GAS)	T4			
AREA OF CLASSIFICATION (DUST)	Zones 21 & 22			
LOWER AMBIENT TEMPERATURE	-20°C			
UPPER AMBIENT TEMPERATURE	+40°C			
MAX. SURFACE TEMPERATURE (DUST)	T80°C			
VOLTAGE RANGE (VAC)	88-140		180-277	
MAX INPUT CURRENT (A)	0.2	0.35	0.1	0.15
FREQUENCY (Hz)	50/60			
INPUT POWER (W)	18	26	18	26
POWER FACTOR	>0.85	>0.90	>0.85	>0.90
LIGHT OUTPUT (LUMENS EMITTED)	1,005	1,390	1,005	1,390
INGRESS PROTECTION	IP66			
ENCLOSURE	Polycarbonate tube with anodised aluminium end caps			
LED TECHNOLOGY	1 x DLO	2 x DLO	1 x DLO	2 x DLO
WEIGHT	1.6 kg (excluding cable)	2.0 kg (excluding cable)	1.6 kg (excluding cable)	2.0 kg (excluding cable)

All information has been gathered under laboratory conditions, the user must regard the values given as approximate. Changes may be made to the above specification without notification, details are available on request. E&OE



Wolf Safety Lamp Company  
Saxon Road Works, Sheffield S8 0YA, UK

T: +44 (0) 114 255 1051  
E: [info@wolfsafety.com](mailto:info@wolfsafety.com)

